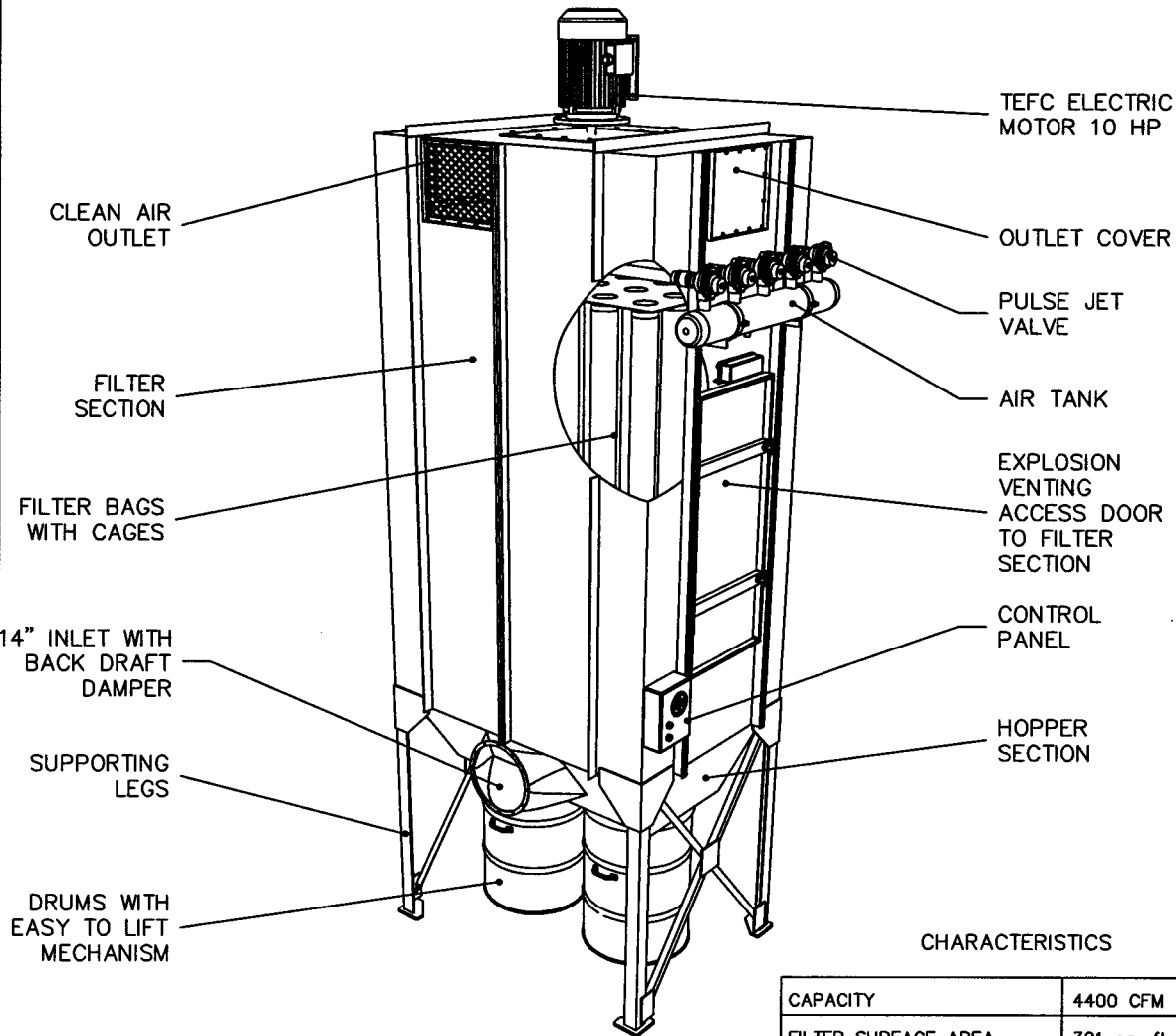


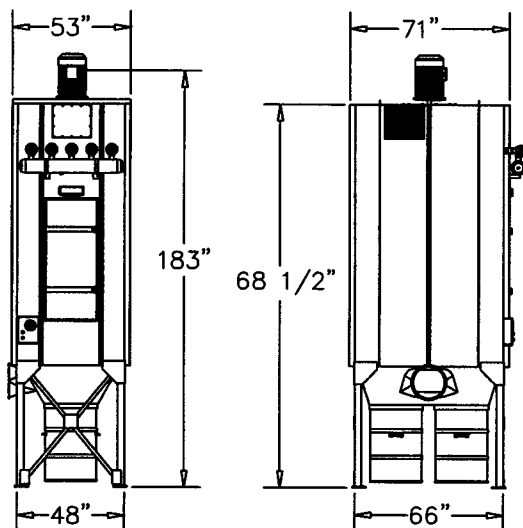
DUST COLLECTOR SPB SERIES (SML)

THIS DOCUMENT CONTAINS PROPRIETARY AND CONFIDENTIAL DATA OF AIR CONTROL TECHNOLOGY. NO DISCLOSURE, REPRODUCTION OR USE OF ANY PART THEREOF, MAY BE MADE WITHOUT WRITTEN PERMISSION OF THE COMPANY.



CHARACTERISTICS

CAPACITY	4400 CFM @ 12" SP
FILTER SURFACE AREA	321 sq. ft.
FILTER EFFICIENCY	99.5%
AIR TO CLOTH RATIO	13.7 : 1
FILTER BAGS REGENERATION	PULSE JET CLEANING SYSTEM
UP FLOW VELOCITY	200 fpm @ 4400 CFM
ELECTRIC MOTOR	10 HP, 440V/3/60 TEFC
SOUND ATTENUATION	< 75 dB
DISCHARGE IN TWO DRUMS	15.5 cu. ft. STORAGE
CONTROL PANEL WITH MAGNEHELIC GAUGE	PREWIRED
EXPLOSION VENTING RATIO	35 : 1



MANUAL FOR START-UP, PULSE JET SYSTEM SETUP AND MAINTENANCE

SPECIFICATIONS AND INFORMATION CONTAINED IN THIS CATALOG ARE SUBJECT TO CHANGE WITHOUT NOTICE.

AIR CONTROL TECHNOLOGY

3636 Hawkestone Rd. Toll Free: (800) 555-1302

Mississauga, Ontario L5C 2V2 Fax: (905) 949-0886

E-Mail: sales@aircontroltech.com
www.aircontroltech.com

REL. AUG. 2002 CAT_2002/DC-SPB405