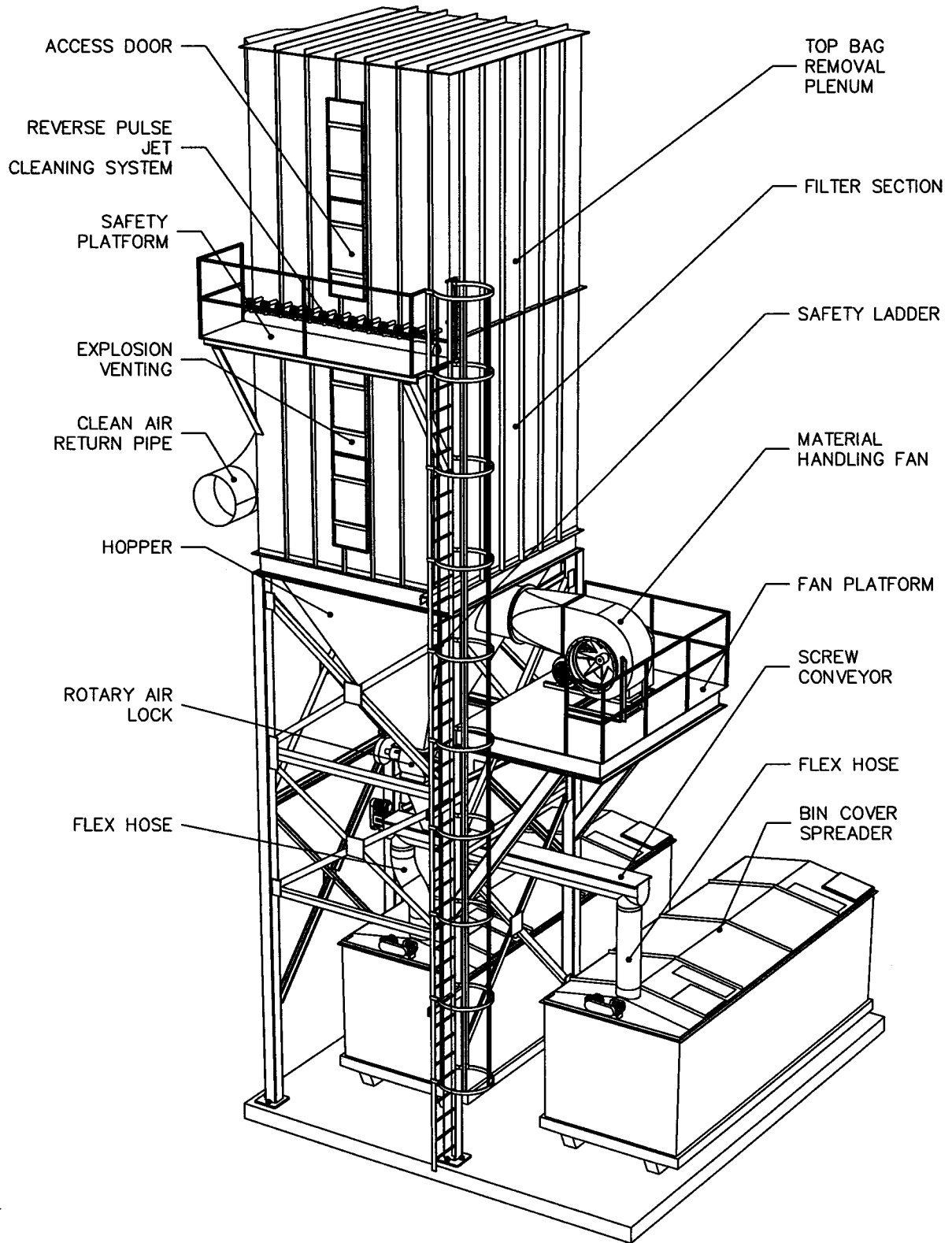


THIS DOCUMENT CONTAINS PROPRIETARY AND CONFIDENTIAL DATA OF AIR CONTROL TECHNOLOGY NO DISCLOSURE REPRODUCTION OR USE OF ANY PART THEREOF, MAY BE MADE WITHOUT WRITTEN PERMISSION OF THE COMPANY.

BLOW-THRU DUST COLLECTOR SPB (LGE)



SPECIFICATIONS AND INFORMATION CONTAINED IN THIS CATALOG ARE SUBJECT TO CHANGE WITHOUT NOTICE.

ACT AIR
CONTROL
TECHNOLOGY

3636 Hawkestone Road
Mississauga, ONT L5C 2V2

Toll Free: (800) 555-1302
Fax: (905) 949-0886

E-Mail: sales@aircontroltech.com
www.aircontroltech.com

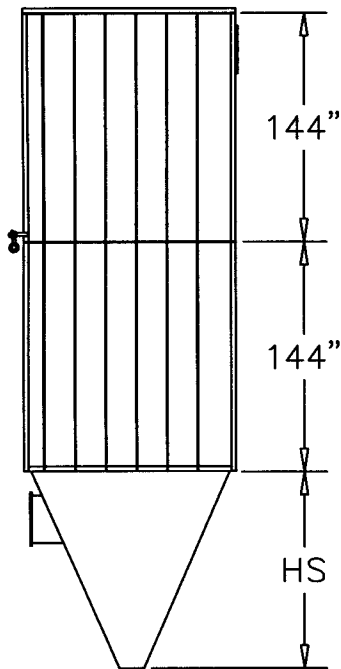
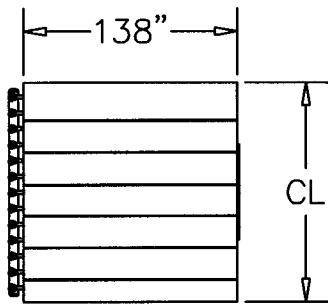
REL. AUG. 2002 CAT_2002/DC-spb1111a

SQUARE PULSE JET BAG TYPE DUST COLLECTORS BY



3636 Hawkestone Rd Mississauga, Ontario L5C 2V2
 Toll Free: (800) 555-1302 Fax: (905) 949-0886

E-Mail: sales@aircontroltech.com
 http://www.aircontroltech.com



COLLECTORS OVERALL DIMENSIONS

MODEL	CL [in]	SCREW CONVEYOR	HS [in]		
			AIRLOCK SIZE [in]		
			18	20	24
SPB-1108	91	-	132	129	125
SPB-1111	131	-	132	129	125
SPB-1113	156	127	-	-	-
SPB-1116	196	127	-	-	-
SPB-1118	216	127	-	-	-
SPB-1125	301	127	-	-	-
SPB-1132	386	127	-	-	-

FLOW RATE CAPACITIES

MODEL	BAG QTY.	BAG LENGTH [Ft.]	FILTER AREA [Sq.Ft.]	CFM @ AIR TO CLOTH RATIO							
				5 : 1	6 : 1	7 : 1	8 : 1	9 : 1	10 : 1	11 : 1	12 : 1
SPB-1108	104	12	2080	10400	12480	14560	16640	18720	20800	22880	24960
SPB-1111	156	12	3120	15600	18720	21840	24960	28080	31200	34320	37440
SPB-1113	182	12	3640	18200	21840	25480	29120	32760	36400	40040	43680
SPB-1116	234	12	4680	23400	28080	32760	37440	42120	46800	51480	56160
SPB-1118	260	12	5200	26000	31200	36400	41600	46800	52000	57200	62400
SPB-1125	364	12	7280	36400	43680	50960	58240	65520	72800	80080	87360
SPB-1132	468	12	9360	46800	56160	65520	74880	84240	93600	102960	112320

SPECIFICATIONS AND INFORMATION CONTAINED IN THIS CATALOG ARE SUBJECT TO CHANGE WITHOUT NOTICE.

THIS DOCUMENT CONTAINS PROPRIETARY AND CONFIDENTIAL DATA OF AIR CONTROL TECHNOLOGY. NO DISCLOSURE, REPRODUCTION OR USE OF ANY PART THEREOF, MAY BE MADE WITHOUT WRITTEN PERMISSION OF THE COMPANY.