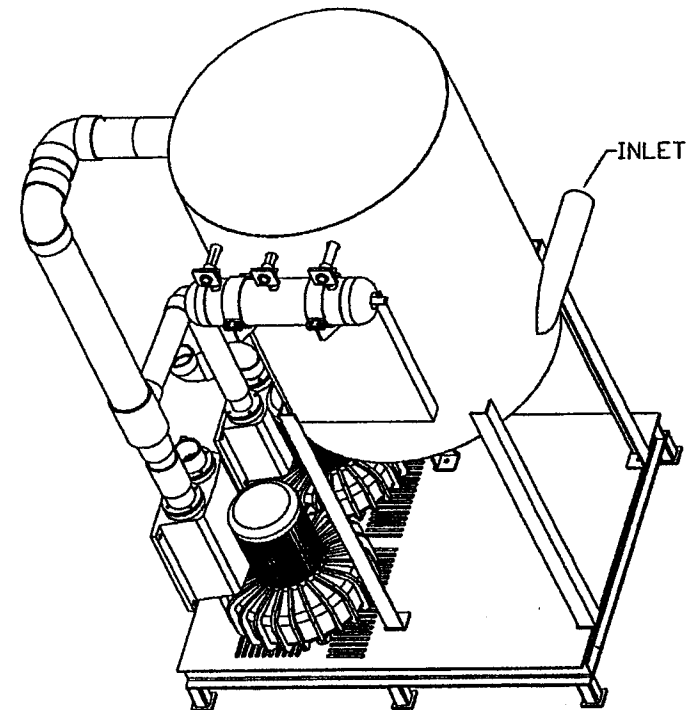
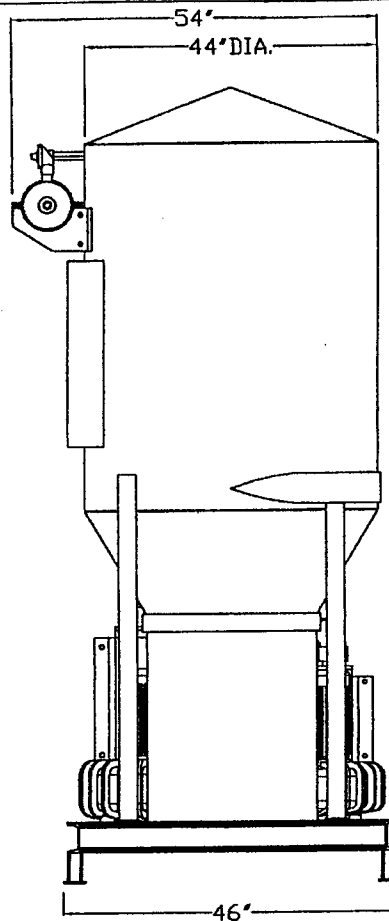
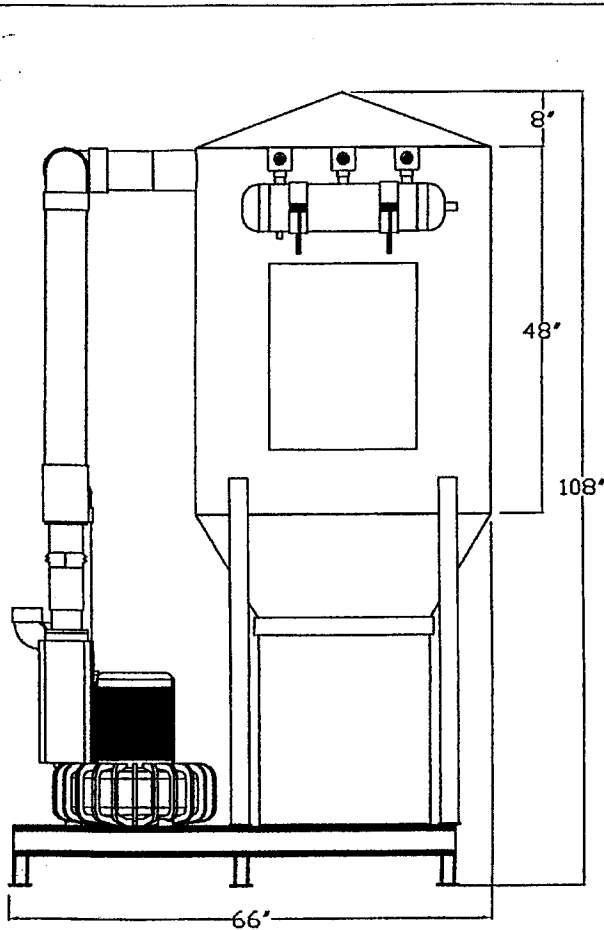


THIS DOCUMENT CONTAINS PROPRIETARY AND CONFIDENTIAL DATA OF AIR CONTROL TECHNOLOGY NO DISCLOSURE REPRODUCTION OR USE OF ANY PART THEREOF, MAY BE MADE WITHOUT WRITTEN PERMISSION OF THE COMPANY.



MODEL PRO-VAC	CAPACITY C.F.M.	STATIC in w.c.	MOTOR H.P.	CARTRIDGE QTY
RPCV-100	1,000	-70	40	3
RPCV-75	750	-70	35	3
RPCV-50	500	-70	20	3
RPCV-40	400	-70	20	3

OPTIONS:

- Silencer
- Insulated Cabinet
- Polyester Cartridge Filters
- Vacuum Tools
- Source Capture Welding Guns
- Source Capture Hoods
- Custom Configurations

STANDARD CONFIGURATION:

- Direct Drive Side Channel Blower
- Automatic Reverse Pulse Cleaning
- Timer Board
- Control Panel / Reduced Voltage Starter
- Cellulose Cartridge Filters
- Common Base
- 20 Gallon Waste Container
- Vacuum Unloader Valve
- Vibration Isolation

AIR CONTROL TECHNOLOGY

3636 Hawkestone Road
Mississauga, Ontario L5C 2V2
Toll free (800) 555-1302 Fax: (905) 949-0886
E-Mail: sales@aircontroltech.com
http://www.aircontroltech.com

INTEGRATED VACUUM SYSTEM

REL. MAY/02

ENG/CAT/VAC