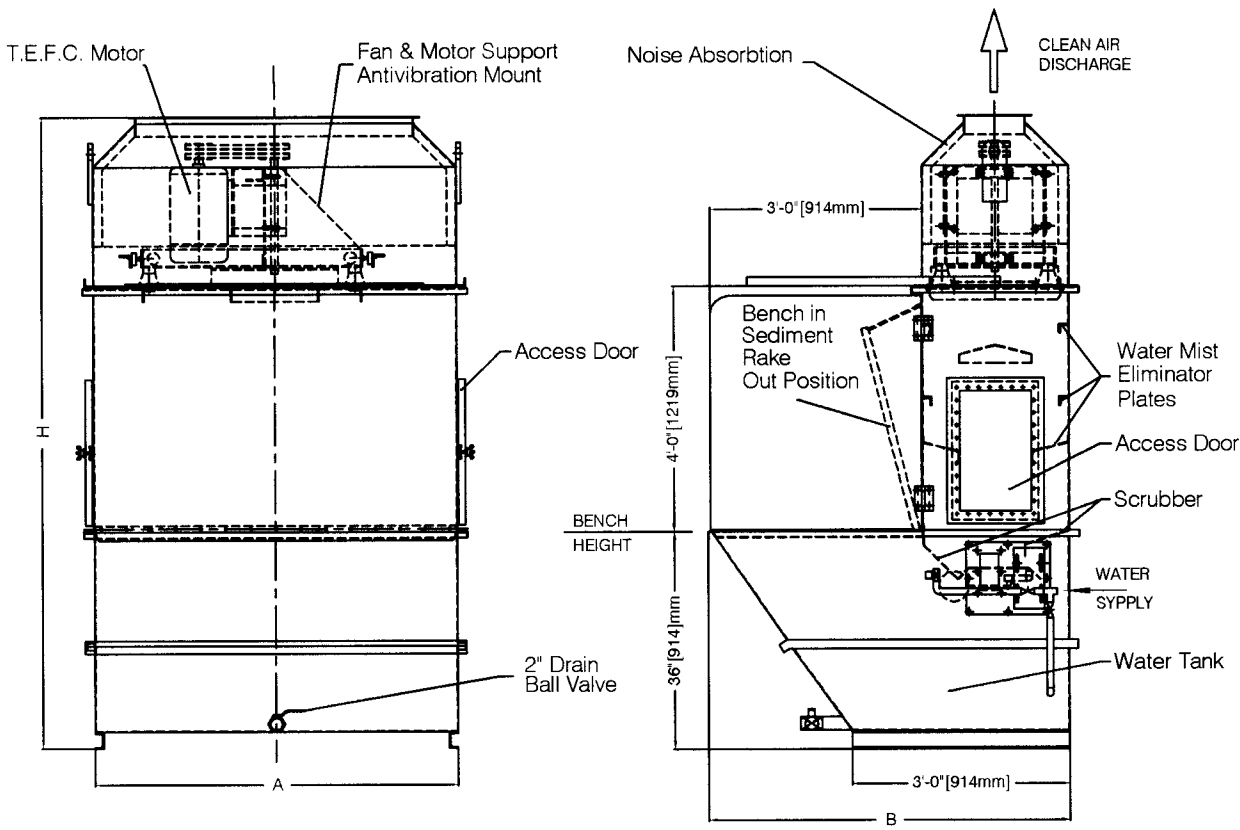


THIS DOCUMENT CONTAINS PROPRIETARY AND CONFIDENTIAL DATA OF AIR CONTROL TECHNOLOGY NO DISCLOSURE REPRODUCTION OR USE OF ANY PART THEREOF, MAY BE MADE WITHOUT WRITTEN PERMISSION OF THE COMPANY.

# WET TYPE DOWNDRAFT BENCH/BOOTH DBW



235 F.P.M. Face Velocity for Toxic Dust  
 156 F.P.M. Face Velocity for Non - Toxic Dust  
 99.8% Air Cleaning Efficiency of Total Dust By Weight  
 Uniform Air Movement Across Bench Face

Automatic Sustain of Water Level      Optional:  
 Virtually Maintenance Free  
 Self Contained      -Explosion Proof Motor  
 Sediment Bin & Hand Rake      -Fluorescent Light

### 235 F.P.M Booth Face Velocity for Toxic Dust or Paint Overspray

Model	Air Volume	Motor	Water Cap.	Ship Wt.	A
	CFM m <sup>3</sup> /h	H.P. KW	gal. l	lbs. kg	in mm
DBW-3	2,815	5	225	1,350	3'-0"
	4,783	3.7	1,020	612	914
DBW-4	3,750	7.5	300	1,550	4'-0"
	6,371	5.6	1,135	703	1,219
DBW-5	4,690	7.5	375	1,700	5'-0"
	7,968	5.6	1,420	771	1,524
DBW-6	5,625	10	450	1,850	6'-0"
	9,557	7.4	1,700	840	1,829
DBW-7	6,570	10	525	2,000	7'-0"
	11,162	7.4	1,990	907	2,134
DBW-8	7,500	15	600	2,320	8'-0"
	12,743	11.2	2,270	1,052	2,438
DBW-9	8,450	15	675	2,600	9'-0"
	14,357	11.2	2,555	1,180	2,743
DBW-10	9,375	20	750	2,790	10'-0"
	15,928	14.8	2,840	1,265	3,048

B=6'-0"[1829mm] H=9'-0"[2743mm]

### 156 F.P.M Booth Face Velocity for Non-Toxic Dust or Paint Overspray

Model	Air Volume	Motor	Water Cap.	Ship Wt.	A
	CFM m <sup>3</sup> /h	H.P. KW	gal. l	lbs. kg	in mm
DBW-3	1,875	3	134	1,130	3'-0"
	3,185	2.2	507	513	914
DBW-4	2,500	5	180	1,230	4'-0"
	4,248	3.7	680	558	1,219
DBW-5	3,125	5	225	1,400	5'-0"
	5,310	3.7	852	635	1,524
DBW-6	3,750	7.5	270	1,580	6'-0"
	6,370	5.6	1,022	717	1,829
DBW-7	4,375	7.5	315	1,720	7'-0"
	7,433	5.6	1,192	780	2,134
DBW-8	5,000	7.5	360	1,970	8'-0"
	8,495	5.6	1,363	894	2,438
DBW-9	5,625	10	405	2,220	9'-0"
	9,557	7.4	1,533	1,007	2,743
DBW-10	6,250	10	450	2,360	10'-0"
	10,620	7.4	1,700	1,070	3,048

B=5'-0"[1524mm] H=8'-0"[2438mm]

SPECIFICATIONS AND INFORMATION CONTAINED IN THIS CATALOG ARE SUBJECT TO CHANGE WITHOUT NOTICE.



3636 Hawkestone Road      Mississauga, ONT L5C 2V2  
 Toll Free: (800) 555-1302      Fax: (905) 949-0886  
 www.aircontroltech.com      E-Mail:sales@aircontroltech.com